

Vatronics Technologies Limited

MF11(MF12) TYPE NTC THERMISTORS

* Applications:

•Vatronics is suitable for mediocre-precision temperature measurement as well as temperature compensation in measuring equipment and transistor circuit.

* Features:

•MF11•Produced in compliance with GB665-86 standard with B value corresponding resistance value one by one; error range of B value is quite small; the products with resistance error range within $\pm 5\%$ feature high consistency and interchangeability.

•MF12•Wide resistance range, maximum normal resistance up to $2M\Omega$ and high stability.



* Main Technical Parameters:

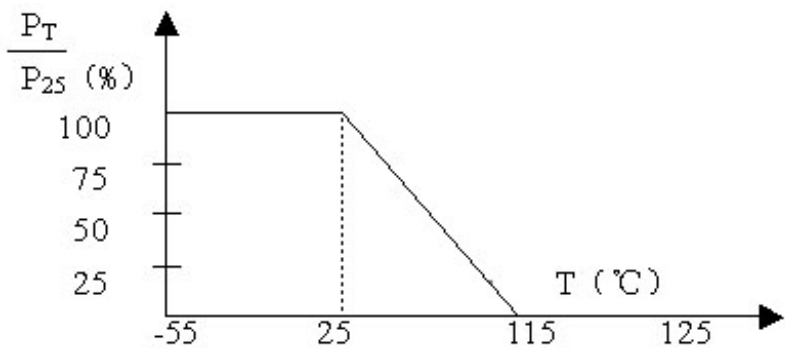
•Rated power: 0.5W; Operating temperature range: $-55\sim+125$

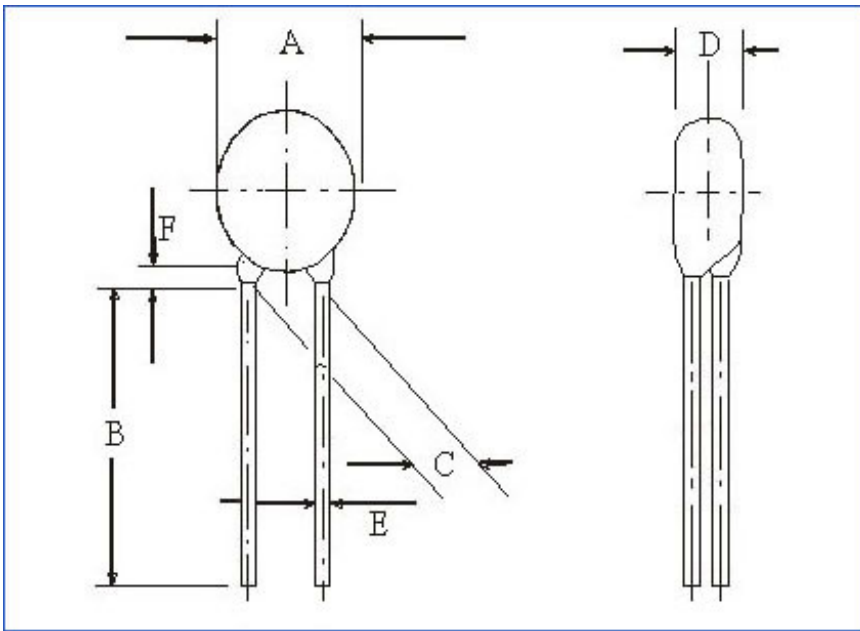
•Time constant: $\leq 30S$; Dissipation coefficient: $\geq 6mW/^\circ$; Measuring power: $\leq 0.1mW$; Please refer to the table below for normal resistance, resistance tolerance, B value and B value tolerance.

	25 Normal Resistance		B Value	
	Rated Value $\bullet\Omega\bullet$	Allowable Tolerance $\bullet\%\bullet$	Normal Value $\bulletK\bullet$	Allowable Tolerance $\bullet\%\bullet$
	10		2800	
	15		2870	
	22		2935	
	33		3010	
	47		3070	
	68		3135	
	100		3200	

MF11	150	±5•±10•±20	3280	±5
	220		3350	
	330		3440	
	470		3520	
	680		3600	
	1000		3680	
	1500		3775	
	2200		3915	
	3300		4070	
	4700		4200	
	6800		4300	
	10000		4400	
	15000		4475	
MF12	1K~2M	••	3500~5500	

*** Load-Temperature Characteristics**





Structure Drawing

Vatronics Technologies Limited

<http://www.vatronics.com> sales@vatronics.com