

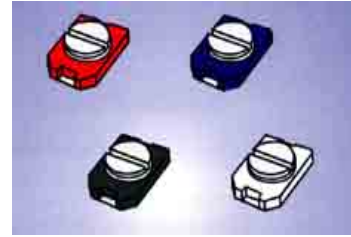
Vatronics Technologies Limited

ii Ceramic Trimmer Capacitors 3mm SMD Type

Feature:

Very compact package type. For reflow soldering use.
 Preserved from solvent. Dust-Proof structure.
 Low capacitance drift. Optimum for automatic chip mounter due to their small allowance in the dimensions and no air leakage.
 Maximum capacitance can be checked by triangle-cut of rotor.
 Operating temperature range: $-25^{\circ}\text{C} \sim +85^{\circ}\text{C}$
 Rated working voltage: 3pF to 6pF: 50V DC
 10pF to 30pF: 110V DC
 Dielectric withstanding voltage: 3pF to 6pF: 110V DC
 10pF to 30pF: 220V DC
 Insulation resistance: $10 \cdot M\Omega_{\text{min}}$. Rotation torque: 10~70g.cm

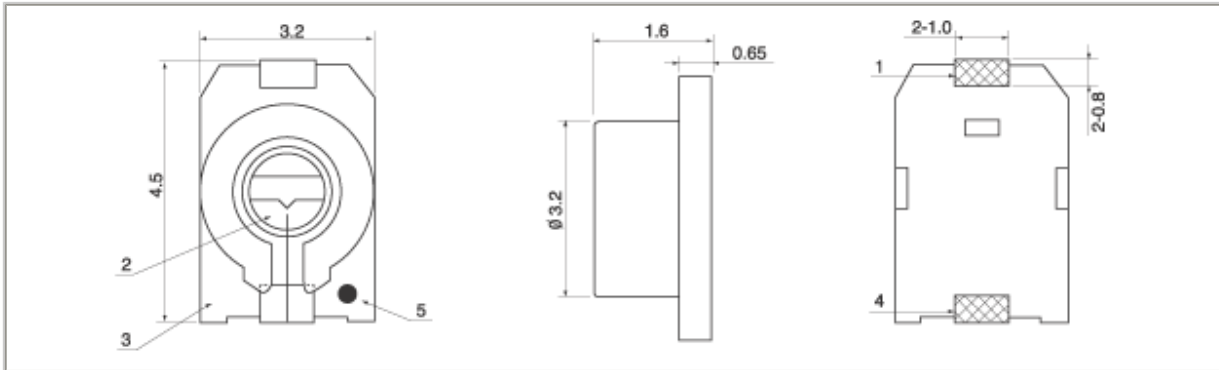
ii



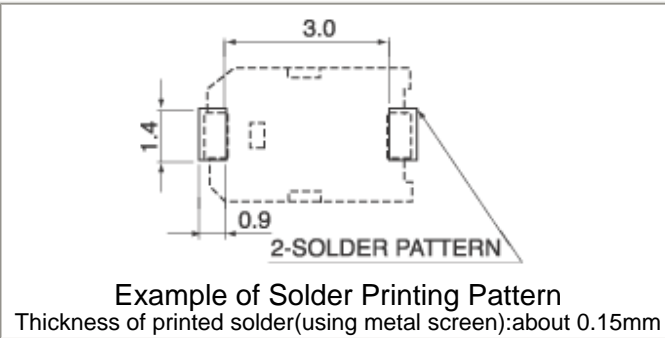
ii

Dimensions

Unit: mm Driver Slot : $\varnothing 1.4 \times T0.4$ General Tolerance : ± 0.2



COMPONENT	MATERIAL
1.Terminal(hot end)	Phosphor bronze (Snplating)
2.Rotor	Brass
3.Housing	Liquid crystal polymer
4.Terminal(cold end)	Phosphor bronze (Snplating)
5.Marking	



iii

iii

Vatronics How to order

VCT 3 030

1 2 3

- 1.VCT Stands for Ceramic Trimmer Capacitors
- 2.Outer diameter of ceramic dielectric
3. Maximum nominal capacitance

ii Specification

Part No.	Capacitance(pF)		Temperature Coefficient(ppm/ μC)	Q Factor (1MHz, C_{max})(Min.)	Marking color
	Min.(+0%)	Max.			
VCT3030	1.2	$3.0 \pm 100\%$ 0	NP 0 ± 200	300	Black
VCT3060	2.2	$6.0 \pm 100\%$ 0	NP 0 ± 60	300	Blue
VCT3100	3.0	$10.0 \pm 100\%$ 0	N 600 ± 300	300	None
VCT3200	5.5	$20.0 \pm 100\%$ 0	N 1200 ± 500	300	Red
VCT3300	8.0	$30.0 \pm 100\%$ 0	N 1200 ± 500	300	Green

ii

Vatronics Technologies Limited
<http://www.vatronics.com> sales@vatronics.com