

Vatronics Technologies Limited

•
•

3006 Rectangular Multi-Turn Trimmer Potentiometers

Vatronics makes 3006P3006Y,3006W Series

Electrical Characteristics

Range of resistance 50Ω—2MΩ Resistance tolerance $\pm 10\%$

Terminal resistance $\leq 2\Omega$ or $1\%R$

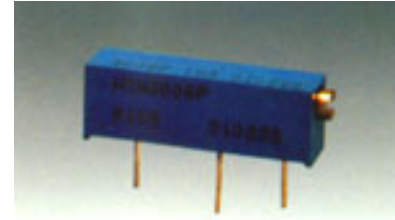
Contact resistance variation $CRV \leq 3\%R$ or 3Ω

Insulation resistance $Re \geq 1G\Omega$

Withstand voltage 450Vdc

Limit current of moving contact 50mA

Effective electrical travel 22 turns



3006

Vatronics Environmental Characteristics

Rated power (315Vmax) 0.5W•70••

Temperature•range -55•—+125•

TCR $\pm 100\text{ppm}/\text{°C}$; $\pm 250\text{ppm}/\text{°C}$

Temperature•variation -55•,30min,+125•,30min

5•cycles $\Delta R \leq 3\%R$, $\Delta(U_{ab}/U_{ac}) \leq 2\%$

Collision 390m/s²•4000•cycles $\Delta R \leq 2\%R$

Vibration 10—500HZ•0.75mm,6h

$\Delta R \leq 2\%R$, $\Delta(U_{ab}/U_{ac}) \leq 3\%$

Vatronics Climate•category $\Delta R \leq 3\%R$ • $Re \geq 100M\Omega$

Endurance at 70• 0.5W;•1000h

$\Delta R \leq 3\%R$ • $CRV \leq 3\%R$

Vatronics Mechanical•endurance 200cycles

$\Delta R \leq 3\%R$ • $CRV \leq 3\%R$

Steady•damp—heat $\Delta R \leq 3\%R$ • $Re \geq 100M\Omega$

Physical•Characteristics

Total•mechanical•travel 25 ± 5 •turns

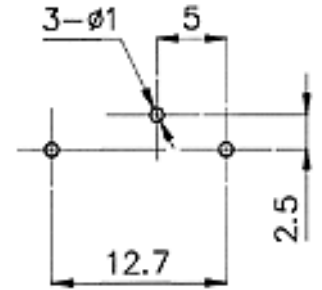
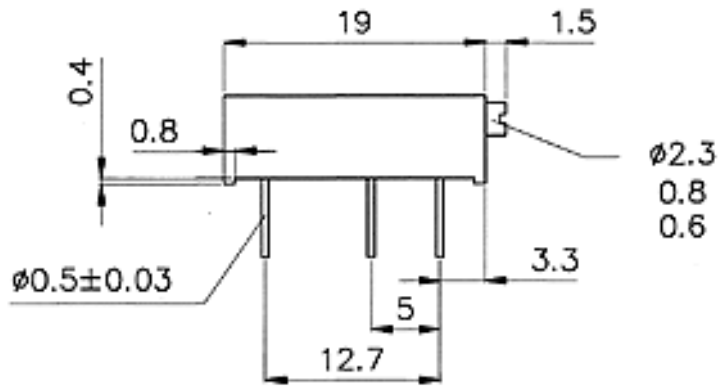
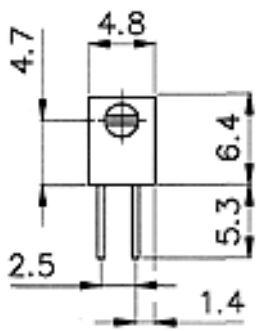
Starting•torque ≤ 15 •mN.m

Mark Resistance•code, resistance•tolerance
($\pm 10\%$ • no•indication),•lot•No

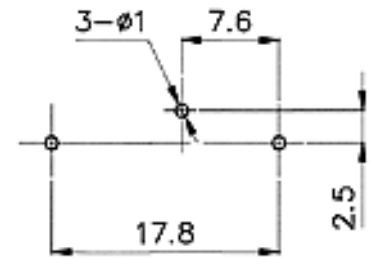
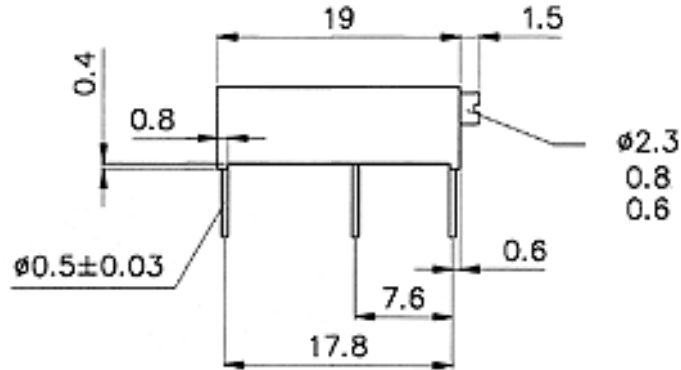
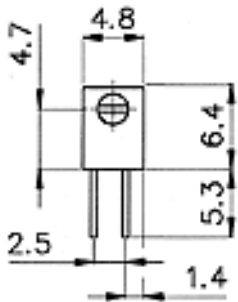
Standard pack 50pcs/tube

Vatronics Technologies Limited

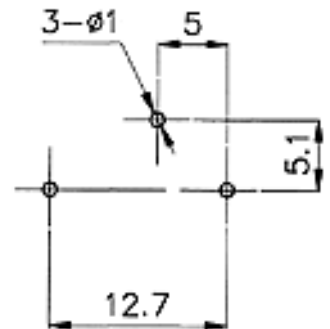
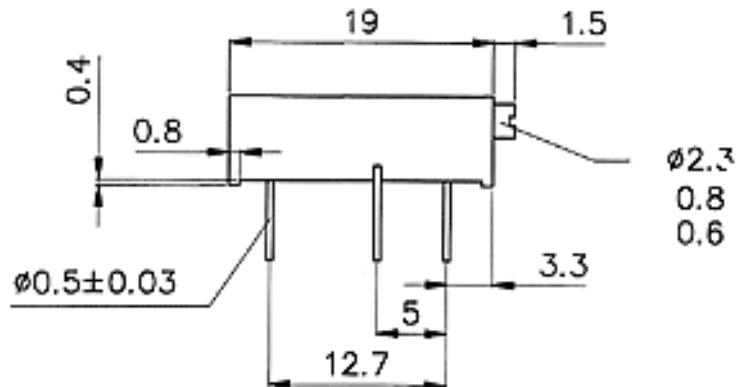
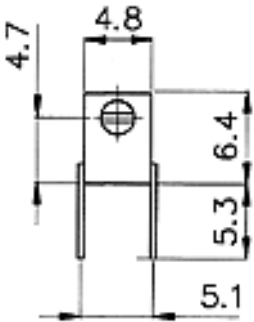
<http://www.vatronics.com> sales@vatronics.com



Vatronics 3006P DRAWING



Vatronics 3006Y DRAWING



Vatronics 3006W DRAWING