

# Vatronics Technologies Limited

•  
•

## 3386 9mm Square Single-Turn Trimmer Potentiometers

**Vatronics makes 3386X,3386W,3386P,3386U Series.**

•Characteristics

Range•of•resistance 100Ω—2MΩ•

Resistance•tolerance ±10%

Terminal•resistance 1%R•or≤2Ω•Contact•resistance•variation

CRV≤3%R•or•3Ω

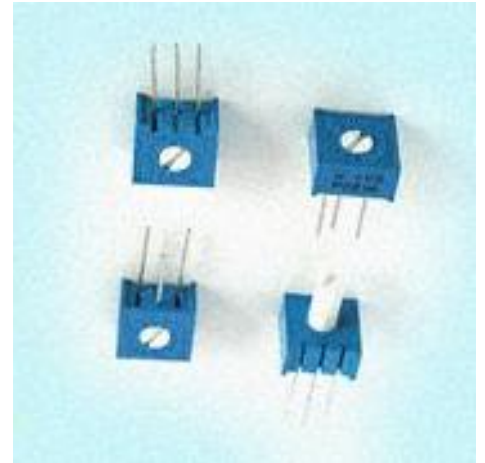
Insulation•resistance  $R_e \geq 1G\Omega$

Withstand•voltage 500Vdc•

Limit•current•of•moving•contact•30mA

Effective•electrical•travel• •  $\geq 260^\circ$

Electrical



Vatronics Environmental•Characteristics

Rated•power 0.5W(70•)

Temperature•range -55•—+125•

TCR ±100ppm/•;•±250ppm/•

Temperature•variation -55•,30min,+125•,30min

5•cycles  $\Delta R \leq 2\%R$ ,• $\Delta(U_{ab}/U_{ac}) \leq 1\%$

Collision 390m/s<sup>2</sup>•4000•cycles  $\Delta R \leq 1\%R$

Vibration

10—500HZ•0.75mm,6h  $\Delta R \leq 1\%R$ ,• $\Delta(U_{ab}/U_{ac}) \leq 2\%$

Climate•category  $\Delta R \leq 3\%R$ • $R_e \geq 100M\Omega$

Endurance•at•70• 0.5W•1000h

$\Delta R \leq 3\%R$ •CRV≤6%R

Vatronics Mechanical•endurance

200•cycles

$\Delta R \leq 3\%R$ •CRV≤6%R

Steady•damp—heat

$\Delta R \leq 3\%R$ • $R_e \geq 100M\Omega$

Physical•Characteristics

Total•mechanical•travel  $280 \pm 10^\circ$

Starting•torque  $\leq 20 \cdot mN \cdot m$

Mark

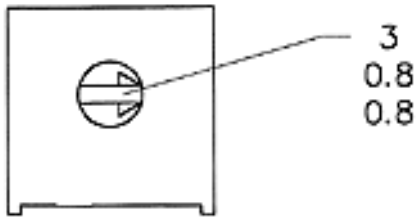
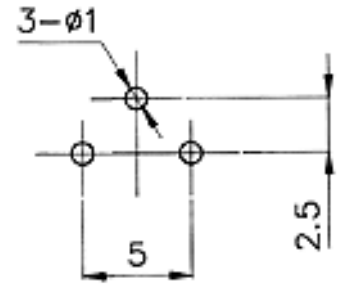
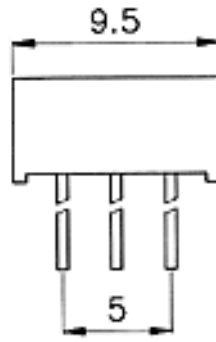
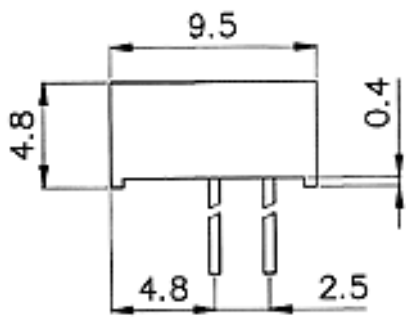
Resistance•code,•resistance•tolerance

(±10%• no•indication),•lot•No

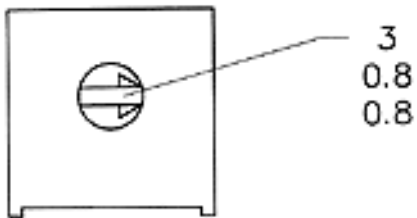
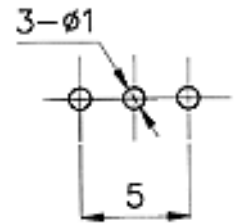
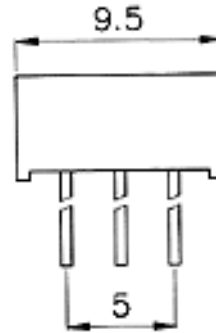
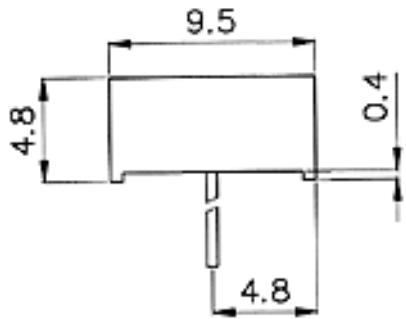
Standard•pack 50pcs/tube

**Vatronics Technologies Limited**

<http://www.vatronics.com> [sales@vatronics.com](mailto:sales@vatronics.com)

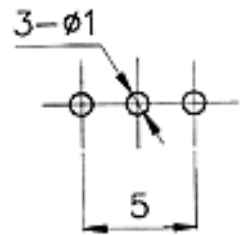
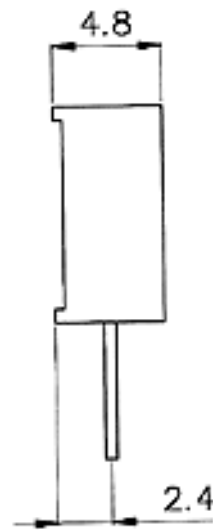
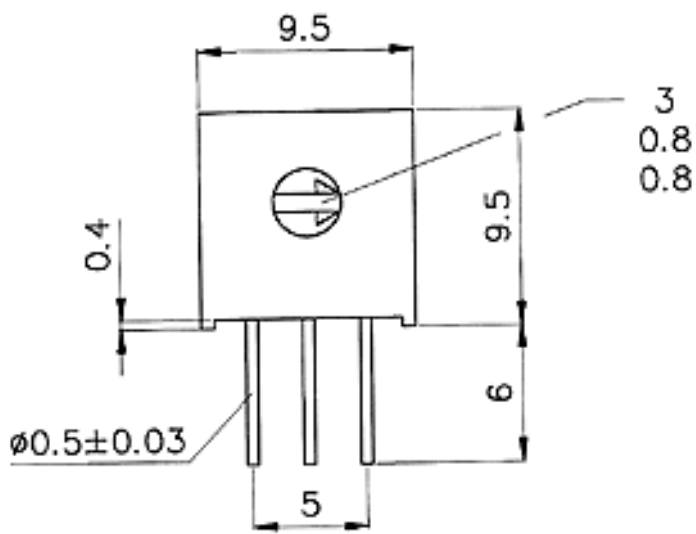


**Vatronics 3386P DRAWING**

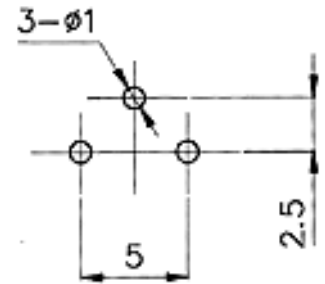
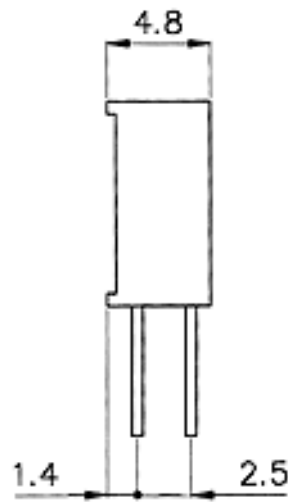
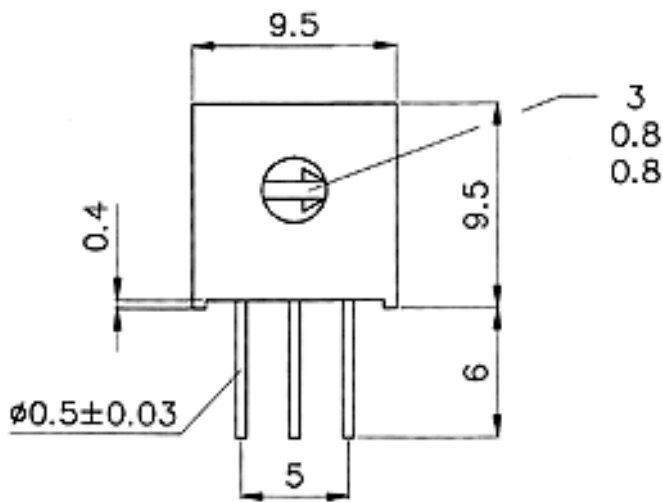


**Vatronics 3386U DRAWING**

**Vatronics Technologies Limited**  
<http://www.vatronics.com> [sales@vatronics.com](mailto:sales@vatronics.com)



**Vatronics 3386W DRAWING**



**Vatronics 3386X DRAWING**

**Vatronics Technologies Limited**  
<http://www.vatronics.com> [sales@vatronics.com](mailto:sales@vatronics.com)