

Vatronics Technologies Limited

•
•

3266 6mm Square Multi-Turn Trimmer Potentiometers

Vatronics makes 3266W,3266X,3266P Series.

Electrical Characteristics

Range of resistance 10Ω — $1M\Omega$ Resistance tolerance $\pm 10\%$

Terminal resistance $\leq 2\Omega$ or $1\%R$

Contact resistance variation $CRV \leq 3\%R$ or 3Ω

Insulation resistance $R_e \geq 1G\Omega$ Withstand voltage $600V_{dc}$

Limit current of moving contact $30mA$

Effective electrical travel 12 ± 2 turns



Vatronics Environment Characteristics

Rated power ($200V_{max}$) $0.25W \cdot 70^\circ$

Temperature range -55° — $+125^\circ$

TCR $\pm 100ppm/^\circ$; $\pm 250ppm/^\circ$

Temperature variation $-55^\circ, 30min, +125^\circ, 30min$ 5cycles

$\Delta R \leq 2\%R$, $\Delta(U_{ab}/U_{ac}) \leq 1\%$

Collision $390m/s^2 \cdot 4000$ cycle $\Delta R \leq 1\%R$

Vibration 10 — $2000HZ \cdot 0.75mm, 6h$

$\Delta R \leq 1\%R$, $\Delta(U_{ab}/U_{ac}) \leq 2\%$

Climate category $\Delta R \leq 3\%R \cdot R_e \geq 100M\Omega$

Endurance at $70^\circ 0.25W$; $1000h \Delta R \leq 3\%R \cdot CRV \leq 3\%R$

Mechanical endurance 200 cycles $\Delta R \leq 3\%R \cdot CRV \leq 3\%R$

Steady damp—heat $\Delta R \leq 3\%R \cdot R_e \geq 100M\Omega$

Vatronics Physical Characteristics Total

•mechanical travel

15 ± 2 turns

Starting torque $\leq 25mN.m$

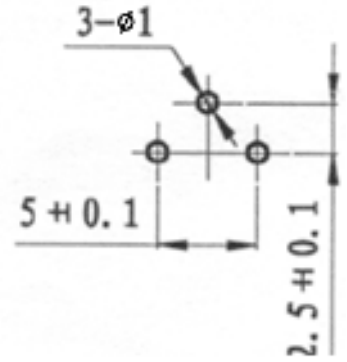
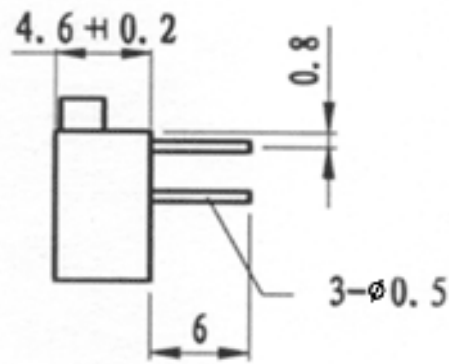
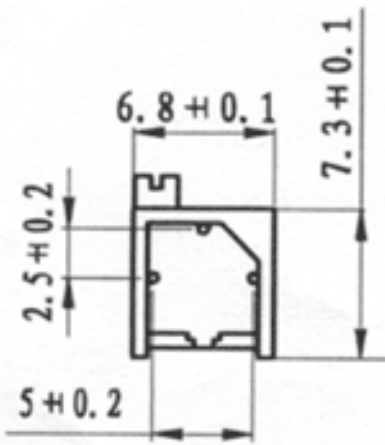
Mark

Resistance code, resistance tolerance
($\pm 10\%$ no indication), lot No

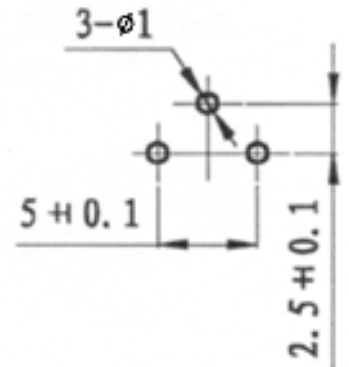
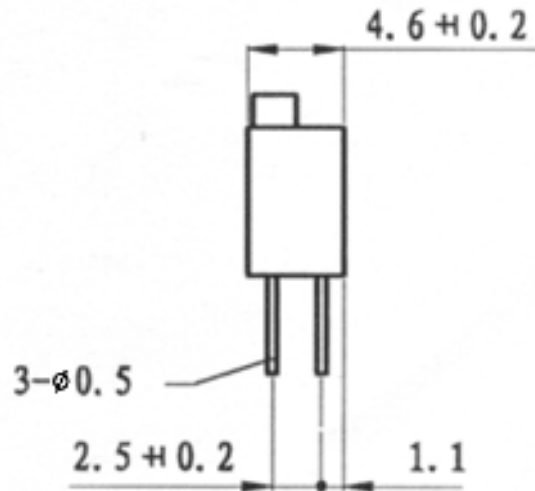
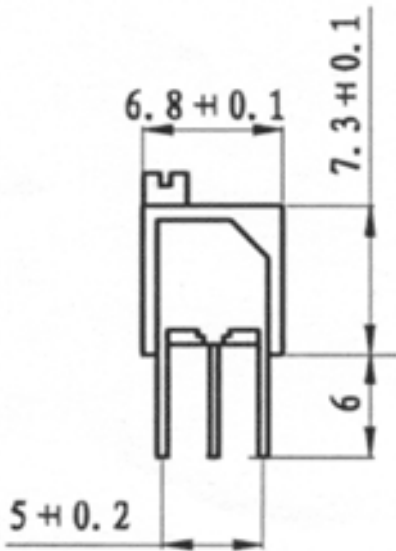
Standard pack 50pcs/tube

Vatronics Technologies Limited

<http://www.vatronics.com> sales@vatronics.com

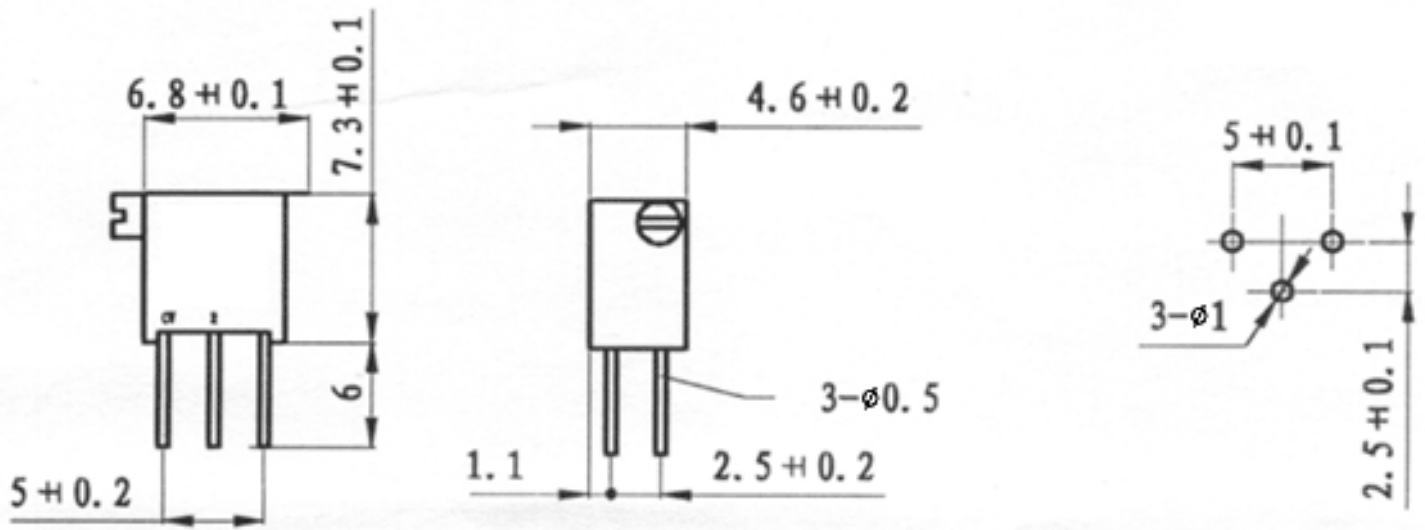


Vatronics 3266P DRAWING



Vatronics 3266W DRAWING

Vatronics Technologies Limited
<http://www.vatronics.com> sales@vatronics.com



Vatronics 3266X DRAWING

Vatronics Technologies Limited
<http://www.vatronics.com> sales@vatronics.com